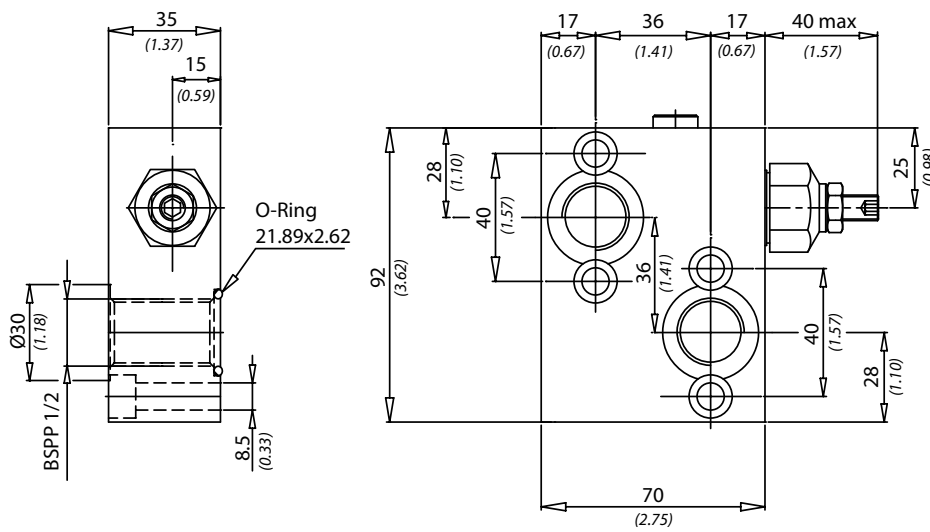
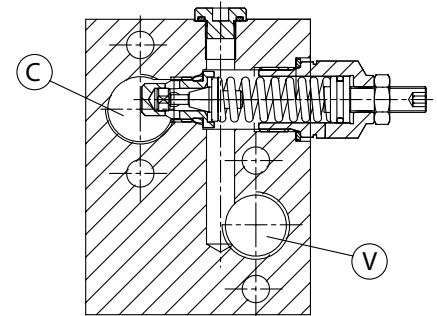
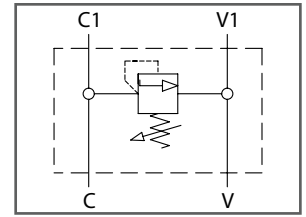
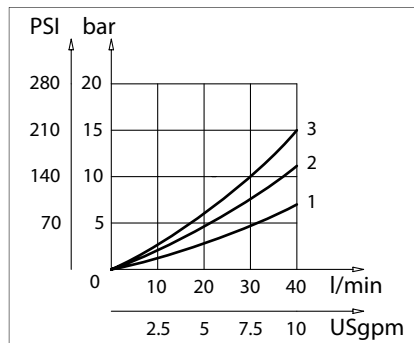
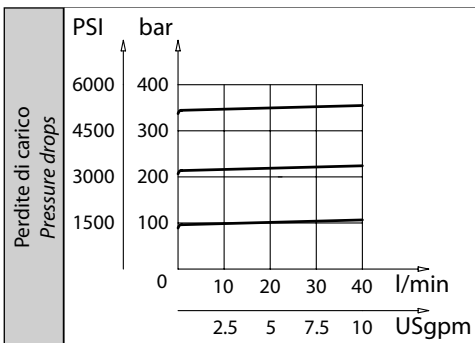




| Dati tecnici Technical data | |
|---|--|
| Viscosità fluido Fluid viscosity | 10-500 mm ² /s 45 to 2000 ssu (6 to 420 cSt) |
| Classe di contaminazione Filtration | ISO code 16/13 SAE class 4 or better |
| Temperatura fluido Fluid temperature | -20°C +80°C -4°F +176°F |
| Temperatura ambiente Ambient temperature | -20°C +50°C -4°F +122°F |



mm
(Inches)



| Caratteristiche tecniche Technical performances | | | | | |
|--|----------|--|--|---|-------------------------------|
| Codice Code | A | Portata Max Max flow l/min - USgpm | Pressione Max Max pressure bar/PSI | Peso approssimativo Approx weight Kg / lb | Valvola tipo Type of valve |
| SCF120 | BSPP 1/2 | 40 (10.5) | 350 (5000) | 1,5 (3.3) | VMD40 |

| Codice ordinazione Ordering code | | | |
|-------------------------------------|------------------------|---|-------------------------------------|
| SCF - X - Y - K | | | |
| X | Dimensione / Size | K | Cappuccio in plastica Safety cap |
| 120 | BSPP 1/2 | s | |
| Y | Molla / Spring | | |
| 1 | 100 bar (1450 PSI) max | | |
| 2 | 210 bar (3000 PSI) max | | |
| 3 | 350 bar (5000 PSI) max | | |