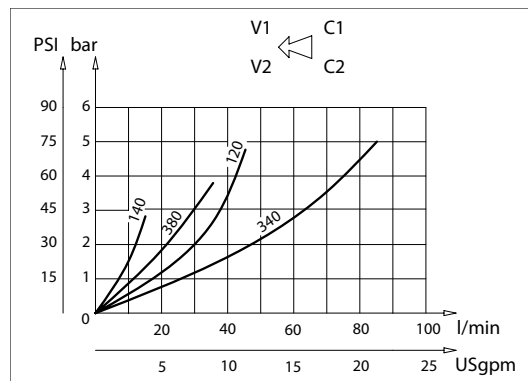
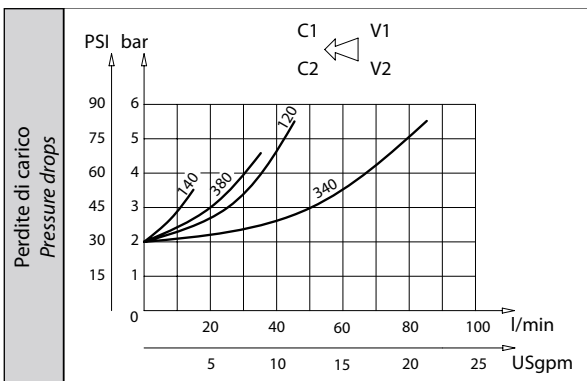
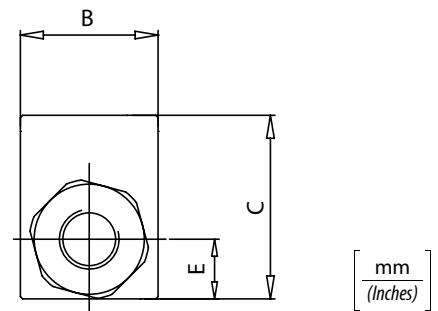
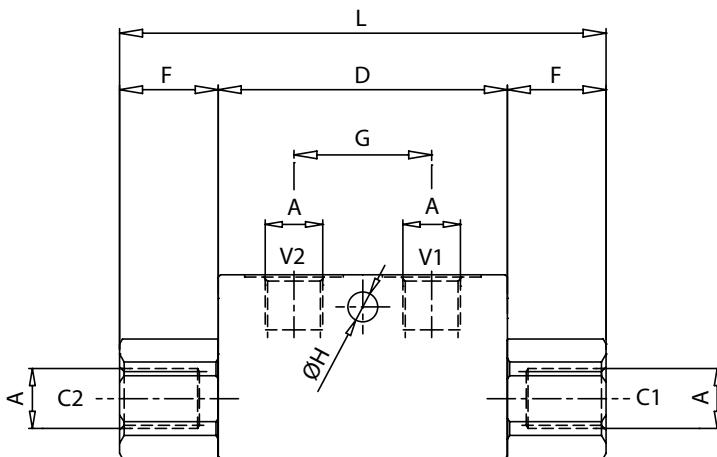
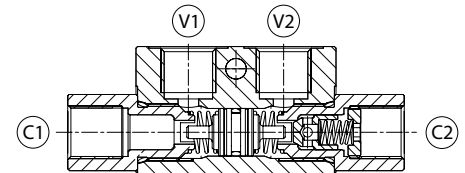
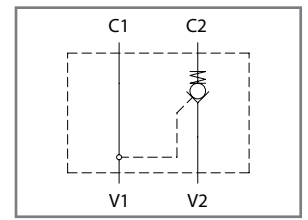




| Dati tecnici<br>Technical data              |                                                            |
|---------------------------------------------|------------------------------------------------------------|
| Viscosità fluido<br>Fluid viscosity         | 10-500 mm <sup>2</sup> /s<br>45 to 2000 ssu (6 to 420 cSt) |
| Classe di contaminazione<br>Filtration      | ISO code 16/13<br>SAE class 4 or better                    |
| Temperatura fluido<br>Fluid temperature     | -20°C +80°C<br>-4°F +176°F                                 |
| Temperatura ambiente<br>Ambient temperature | -20°C +50°C<br>-4°F +122°F                                 |



|                                     |                   |
|-------------------------------------|-------------------|
| Codice ordinazione<br>Ordering code |                   |
| <b>VRSE - X</b>                     |                   |
| <b>X</b>                            | Dimensione / Size |
| <b>140</b>                          | <b>BSPP 1/4</b>   |
| <b>380</b>                          | <b>BSPP 3/8</b>   |
| <b>120</b>                          | <b>BSPP 1/2</b>   |
| <b>340</b>                          | <b>BSPP 3/4</b>   |

Caratteristiche tecniche  
Technical performances

| Code<br>Code | A        | Portata Max<br>Max flow<br>l/min - USgpm | Pressione Max<br>Max pressure<br>bar/PSI | B         | C         | D         | E           | F           | G         | H          | L           | Peso approssimativo<br>Approx weight<br>Kg / lb | Rapporto di pilotaggio<br>Pilot ratio |
|--------------|----------|------------------------------------------|------------------------------------------|-----------|-----------|-----------|-------------|-------------|-----------|------------|-------------|-------------------------------------------------|---------------------------------------|
| VRSE140      | BSPP 1/4 | 15 (4)                                   | 320 (4500)                               | 30 (1.18) | 40 (1.57) | 63 (2.48) | 13 (0.51)   | 21,5 (0.85) | 30 (1.18) | 6,5 (0.26) | 106 (4.17)  | 0,63 (1.4)                                      | 1:4                                   |
| VRSE380      | BSPP 3/8 | 35 (9.3)                                 |                                          |           |           |           |             |             |           |            |             | 0,60 (1.32)                                     |                                       |
| VRSE120      | BSPP 1/2 | 45 (12)                                  | 300 (4350)                               | 35 (1.38) | 50 (1.97) | 82 (3.23) | 16,5 (0.65) | 31,5 (1.24) | 36 (1.42) | 145 (5.71) | 1,10 (2.42) |                                                 |                                       |
| VRSE340      | BSPP 3/4 | 70 (18.5)                                |                                          |           |           |           |             |             |           |            | 40 (1.57)   | 60 (2.36)                                       |                                       |

