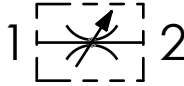




Hydraulic circuit



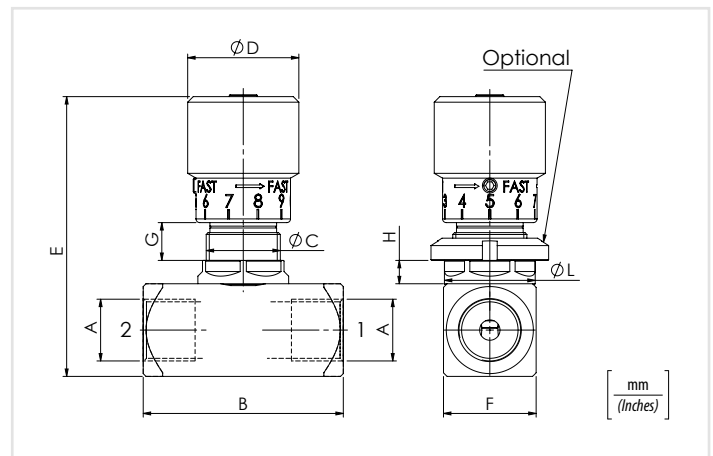
01 02
STBF

01	Bidirectional flow control valves	STBF	
02	Size	BSPP 1/8	180
		BSPP 1/4	140
		BSPP 3/8	380
		BSPP 1/2	120
		BSPP 3/4	340
		BSPP 1	100
		BSPP 1-1/4	114
		BSPP 1-1/2	112

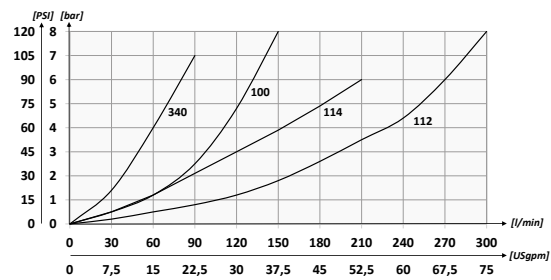
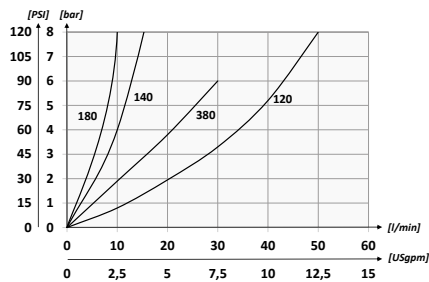
Technical data

Mineral oil	ISO 6743/4 (DIN 51524)		
Oil viscosity	15-250 mm ² /s (15 to 250 cSt)		
Max contamination index with filter	ISO 4406:1999 Classe 19/17/14		
Oil temperature	-20°C +80°C	-4°F + 176°F	
Ambient temperature	-20°C +50°C	-4°F + 122°F	

It is necessary a filter use to protect the valve (advised filtration 15 µm)



Performances



Technical characteristics

Type	A	Max flow (USgpm)	Max pressure (PSI)	B	C	D	E	F	G	H	L	Type	Approx weight (lb)	
STBF180	BSPP 1/8	10 (2.6)	400 (5800)	44 (1.73)	M15x1	20 (0.79)	60,5 (2.38)	20 (0.79)	8 (0.31)	5,5 (0.22)	19,5 (0.77)	84100031	0,16 (0.36)	
STBF140	BSPP 1/4	15 (4)		54 (2.13)	M20x1	30 (1.18)	75 (2.95)	25 (0.98)	7,5 (0.30)	6 (0.24)	24,5 (0.96)	84100022	0,31 (0.68)	
STBF380	BSPP 3/8	30 (7.9)		64 (2.52)	M25x1,5	33 (1.30)	81 (3.19)	30 (1.18)	9 (0.35)	7 (0.28)	29,5 (1.16)	84100023	0,48 (1.06)	
STBF120	BSPP 1/2	50 (13.2)		81 (3.19)	M35x1,5	42 (1.65)	110 (4.33)	40 (1.57)	15,5 (0.61)	8 (0.31)	39,5 (1.56)	84100024	1,13 (2.50)	
STBF340	BSPP 3/4	80 (21.1)		350 (5075)	102 (4.01)	M45x1,5	53 (2.09)	115 (4.53)	45 (1.77)	13,5 (0.53)	10 (0.39)	50 (1.97)	84100030	1,50 (3.3)
STBF100	BSPP 1	150 (39.6)						137 (5.39)	55 (2.17)	10 (0.39)	50 (1.97)	84100030	3,17 (7)	
STBF114	BSPP 1-1/4	200 (52.8)	147 (5.79)					65 (2.56)						
STBF112	BSPP 1-1/2	300 (79.2)												