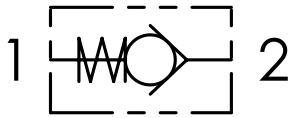




Hydraulic circuit



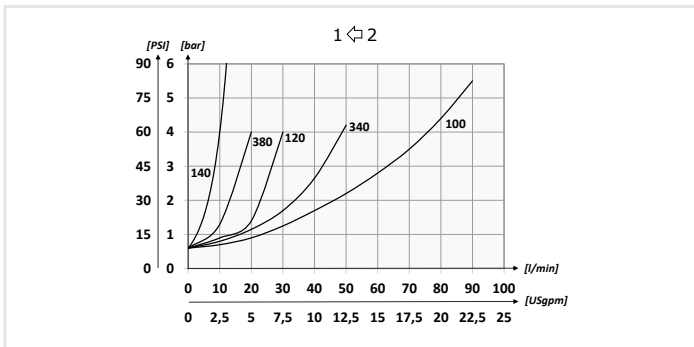
01 02 03 04

Ordering code

VUN

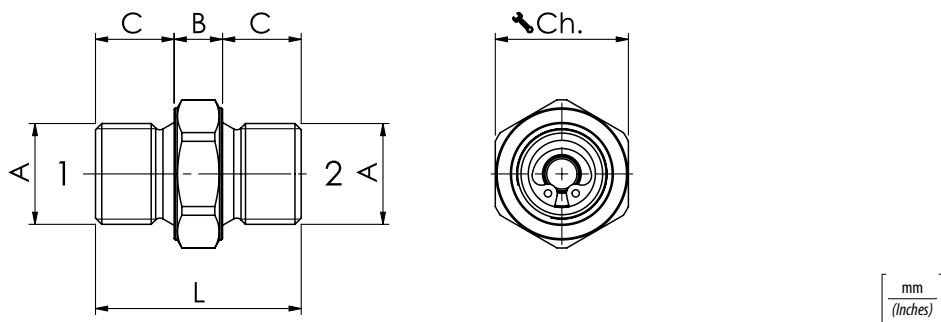
01	M/M Check valves	VUN	
02	Size	BSPP 1/4	140
		BSPP 3/8	380
		BSPP 1/2	120
		BSPP 3/4	340
		BSPP 1	100
03	Sealing	Ball sealing only for VUN140/380/120	SF
		Poppet sealing	SP
04	Spring	1 bar Standard (14.5 PSI)	1
		3 bar (43.5 PSI)	3
		4,5 bar (65.25 PSI)	4,5
		6 bar (87 PSI)	6

Performances



Technical data

Mineral oil	ISO 6743/4 (DIN 51524)
Oil viscosity	15-250 mm²/s (15 to 250 cSt)
Max contamination index with filter	ISO 4406:1999 Classe 19/17/14
Oil temperature	-20°C +80°C -4°F + 176°F
Ambient temperature	-20°C +50°C -4°F + 122°F
It is necessary a filter use to protect the valve (advised filtration 15 µm)	
Max leakage	0,015 in³/min - 5 drops/min



Technical characteristics

Code	A	Max flow (USgpm)	Max pressure (PSI)	L	B	C	Ch.	Approx weight (lb)
VUN140	BSPP 1/4	5 (1.3)	500 (7250)	29 (0.28)	7 (1.27)	11 (0.43)	19	0,03 (0.066)
VUN380	BSPP 3/8	15 (4)		34 (1.34)	8 (0.31)	13 (0.51)	22	0,05 (0.01)
VUN120	BSPP 1/2	30 (7.9)		44 (1.73)	16 (0.63)	14 (0.55)	27	0,11 (0.24)
VUN340	BSPP 3/4	50 (13.2)		50 (1.97)	16 (0.63)	17 (0.67)	32	0,18 (0.40)
VUN100	BSPP 1	90 (23.8)		57 (2.24)	19 (0.75)	19 (0.75)	41	0,32 (0.71)