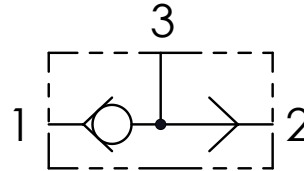
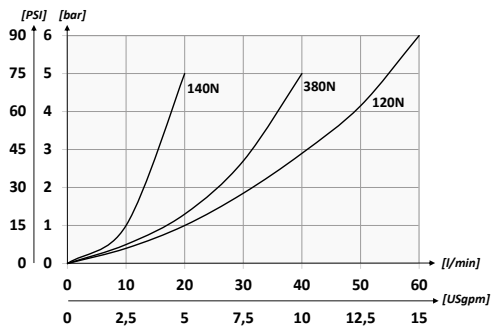


01 02

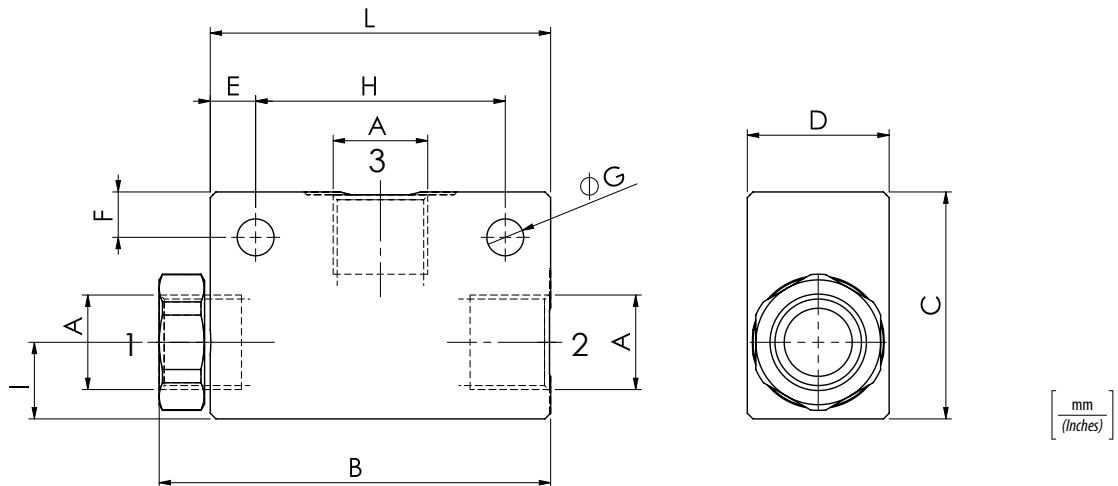
VUSF
Ordering code

| | | |
|-----------|-----------------------------------|-------------|
| 01 | (Load shuttle valves - ball type) | VUSF |
| 02 | (Size) | BSPP 1/4 |
| | | BSPP 3/8 |
| | | BSPP 1/2 |

Hydraulic circuit

Performances

Technical data

| | | |
|-------------------------------------|---|--------------|
| Mineral oil | ISO 6743/4 (DIN 51524) | |
| Oil viscosity | 15-250 mm ² /s (15 to 250 cSt) | |
| Max contamination index with filter | ISO 4406:1999 Classe 19/17/14 | |
| Oil temperature | -20°C +80°C | -4°F + 176°F |
| Ambient temperature | -20°C +50°C | -4°F + 122°F |

It is necessary a filter use to protect the valve (advised filtration 15 µm)


Technical characteristics

| Type | A | Max flow l/min-USgpm | Max pressure bar/PSI | B | C | D | E | F | G | H | I | L | Approx weight kg/lb |
|-----------------|-----------------|-------------------------|-------------------------|--------------------|------------------|------------------|------------------|------------------|-------------------|------------------|--------------------|------------------|------------------------|
| VUSF140N | BSPP 1/4 | 20 (5.3) | 350 (5075) | 57,3 (2.26) | 35 (1.38) | 25 (0.98) | 9 (0.35) | 8 (0.31) | 6,5 (0.26) | 34 (1.34) | 12 (0.47) | 52 (2.05) | 0,29 (0.65) |
| VUSF380N | BSPP 3/8 | 40 (10.6) | | 69 (2.72) | 40 (1.57) | | 8 (0.31) | | | 44 (1.73) | 13,5 (0.53) | 60 (2.36) | 0,37 (0.81) |
| VUSF120N | BSPP 1/2 | 60 (15.8) | | 73,8 (2.90) | 50 (1.97) | 35 (1.38) | 10 (0.39) | 10 (0.39) | 8,5 (0.33) | 45 (1.79) | 18 (0.71) | 65 (2.56) | 0,71 (1.56) |